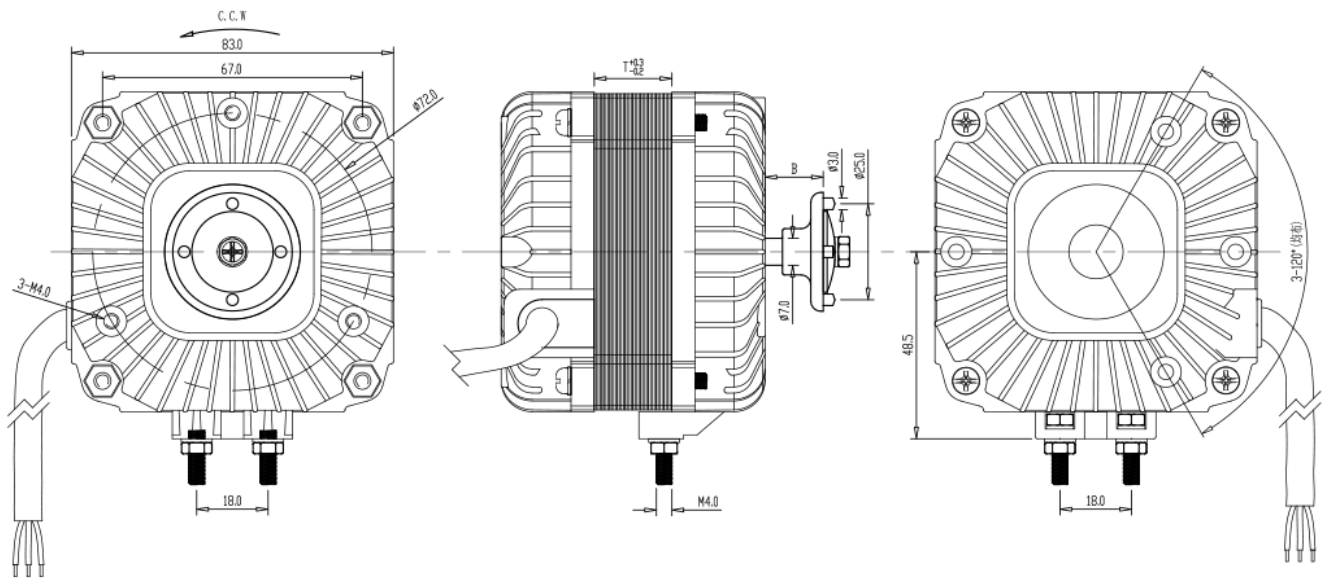




YJF82

DIBUJO



CARACTERISTICAS

| TYPE | VOLTAGE V AC | FREQUENCY Hz | CURRENT A | POWER W | SPEED r/min | STATOR THICKNESS mm | SHAFT EXTENSION mm | ROTATION |
|-----------|-----------------|-----------------|--------------|------------|----------------|---------------------------|--------------------------|----------|
| YJF-82-13 | 220-240 | 50 | 0.3 | 32 | 1400 | 13 | <90 | CW/CCW |
| | 110-120 | 60 | 0.45 | 32 | 1700 | 13 | <90 | CW/CCW |
| YJF-82-19 | 220-240 | 50 | 0.43 | 42 | 1420 | 19 | <90 | CW/CCW |
| | 110-120 | 60 | 0.65 | 42 | 1720 | 19 | <90 | CW/CCW |
| YJF-82-25 | 220-240 | 50 | 0.45 | 49 | 1440 | 25 | <90 | CW/CCW |
| | 110-120 | 60 | 0.98 | 49 | 1740 | 25 | <90 | CW/CCW |