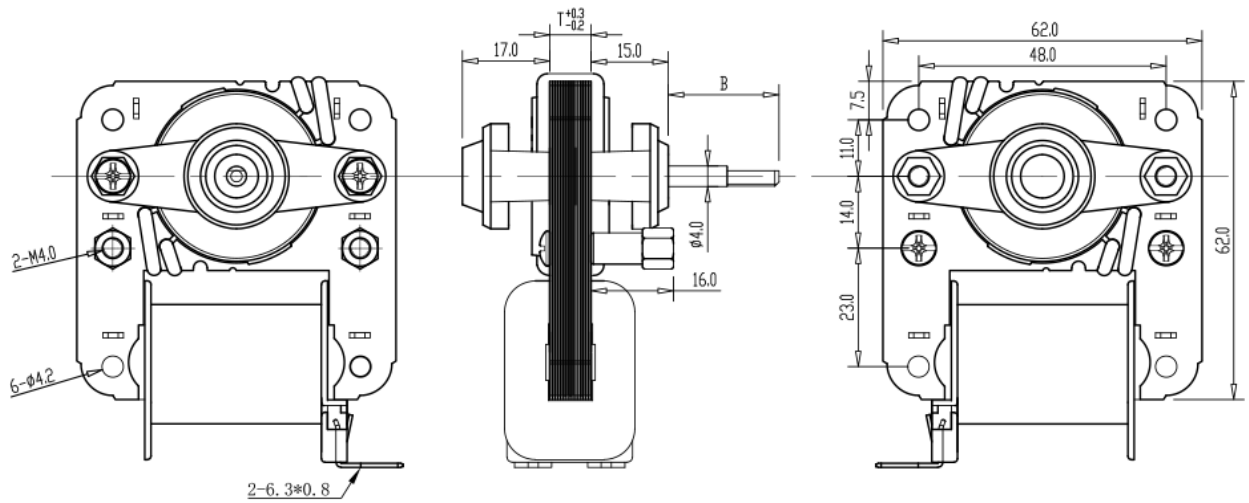


YJF62

DIBUJO



CARACTERISTICAS

TYPE	VOLTAGE V AC	FREQUENCY Hz	CURRENT A	POWER W	SPEED r/min	STATOR THICKNESS mm	SHAFT EXTENSION mm	ROTATION
YJF-62-09	220-240	50	0.055	6.5	2650	9	<68	CW/CCW
YJF-62-12	220-240	50	0.08	10.5	2680	12	<68	CW/CCW