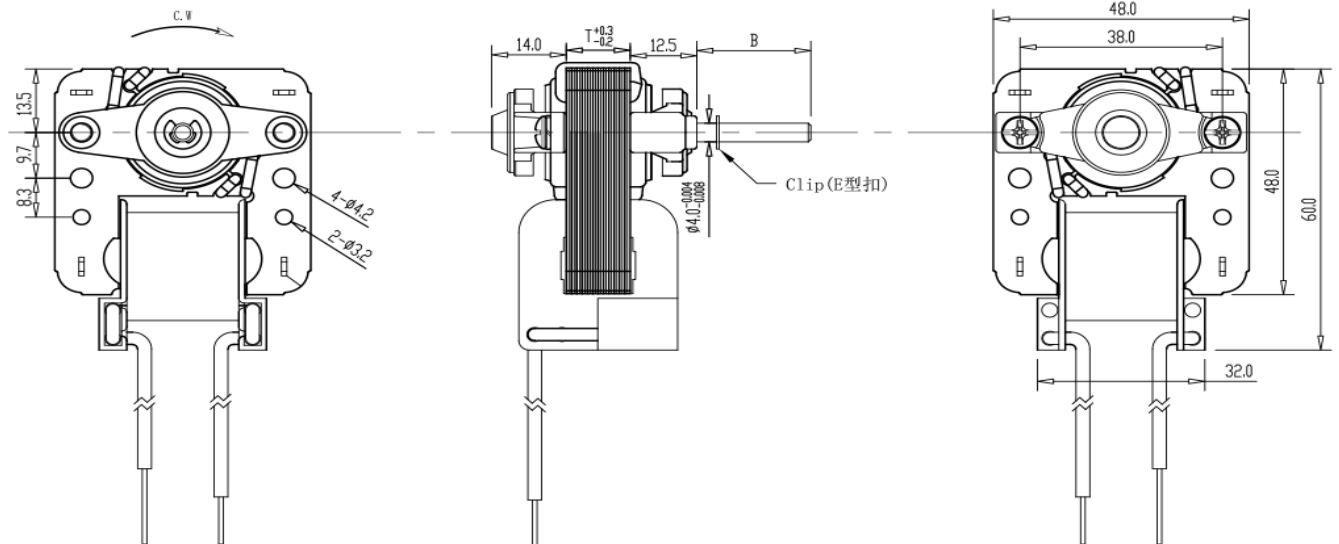


YJF48

DIBUJO



CARACTERISTICAS

TYPE	VOLTAGE V AC	FREQUENCY Hz	CURRENT A	POWER W	SPEED r/min	STATOR THICKNESS mm	SHAFT EXTENSION mm	ROTATION
YJ-48-10	220-240	50	0.06	7.1	2650	10	<68	CW/CCW
	110-120	60	0.11	7.1	3300	10	<68	CW/CCW
YJ-48-13	220-240	50	0.07	8	2680	13	<68	CW/CCW
	110-120	60	0.12	8	3330	13	<68	CW/CCW
YJ-48-15	220-240	50	0.08	9	2730	15	<68	CW/CCW
	110-120	60	0.13	9	3360	15	<68	CW/CCW
YJ-48-20	220-240	50	0.09	10	2780	20	<68	CW/CCW