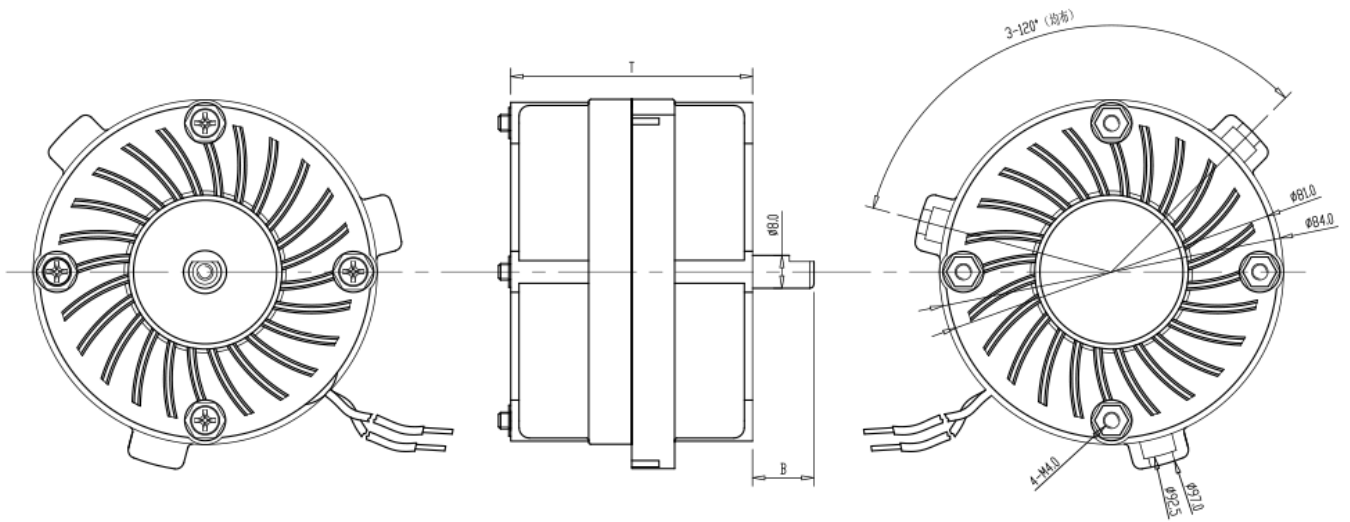




YJ80(4P)

DIBUJO



CARACTERISTICAS

TYPE	VOLTAGE V AC	FREQUENCY Hz	CURRENT A	POWER W	SPEED r/min	STATOR THICKNESS mm	SHAFT EXTENSION mm	ROTATION
YJF-80-20	220-240	50	0.25	35	1420	20	<90	CW/CCW
YJF-80-25	220-240	50	0.32	38	1440	25	<90	CW/CCW
YJF-52-25	220-240	50	0.57	65	1450	35	<90	CW/CCW