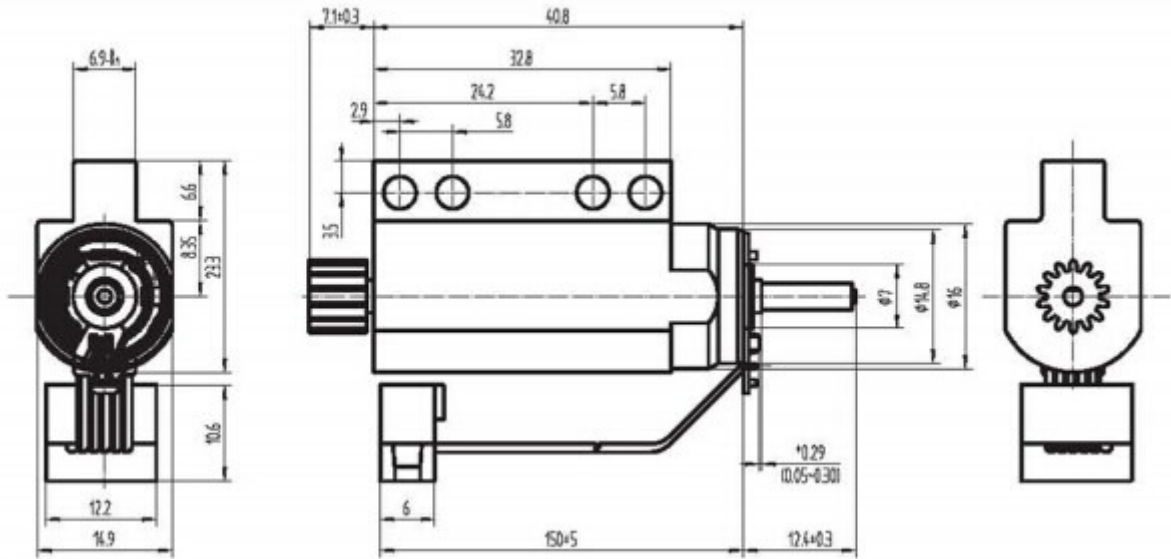




DR164124H-01

DIBUJO



CARACTERISTICAS

MODEL	RESISTANCE	DIMENSION	STARTING VOLTAGE	VOLTAGE		NO LOAD		STALL		
				OPERATING RANGE	NOMINAL	SPEED	CURRENT	TORQUE	CURRENT	
				Ω	mm	V	V	V	RPM	A
DR164124H-01	24.5	16*41	24	24	24	7600	0.15	4.0		0.14