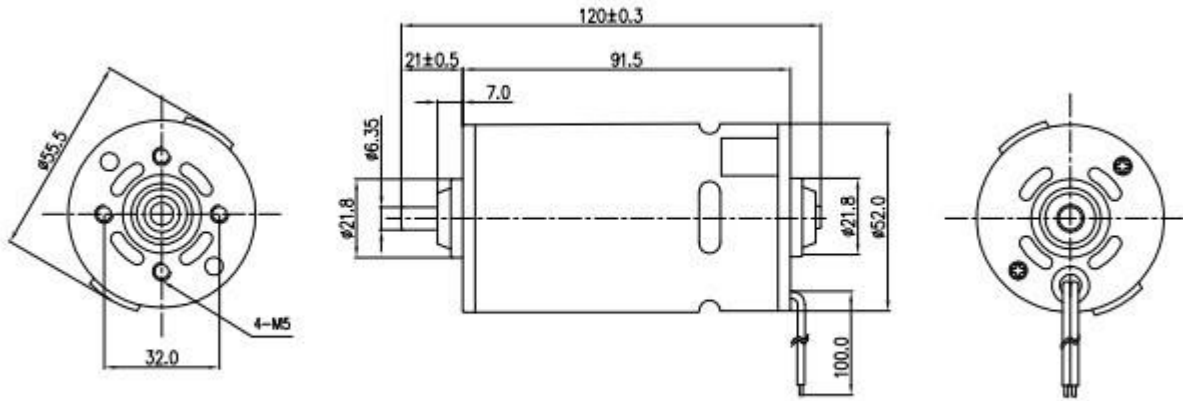




**ARS-9912PM**

**DIBUJO**



UNIT : Millimeters WEIGHT : 674 g (APPROX)

**CARACTERISTICAS**

MODEL	OPERATING RANGE	VOLTAGE		NO LOAD		AT MAXIMUM EFFICIENCY				STALL	
		NOMINAL	SPEED	CURRENT	SPEED	CURRENT	TORQUE	OUTPUT	TORQUE	CURRENT	
		VDC	VDC	RPM	A	RPM	A	mN.m g.cm	W	mN.m g.cm	A
ARS-9912PM	14210	100-250	230	9070	0.062	7560	0.517	127.45 1300	102.9	781.37 7970	2.8

**CURVA**

