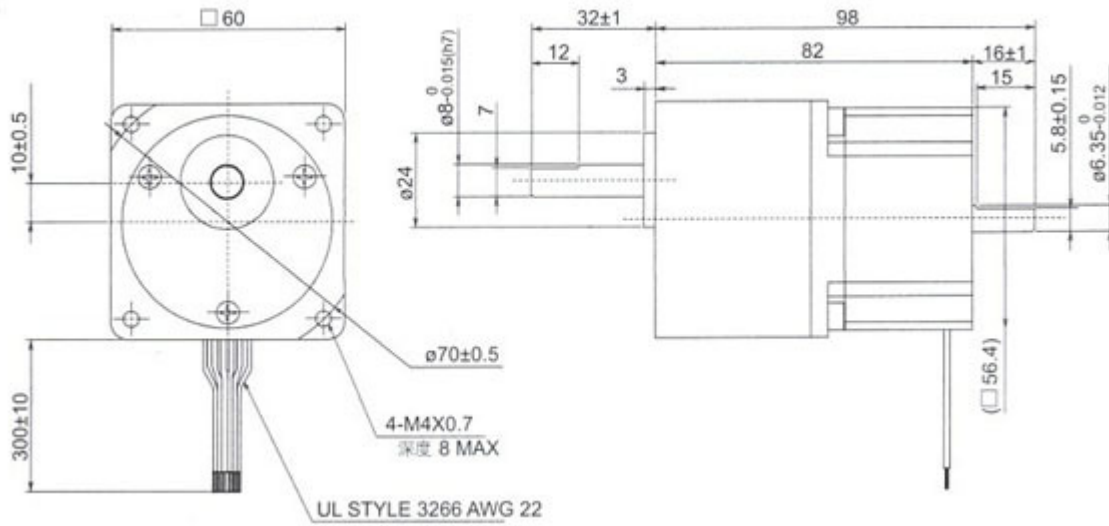




**AHB-GA6082**

**DIBUJO**



**CURVA**

MODEL	RATED VOLTAGE	RESIS-TANCE	RATED CURRENT	HOLDING TORQUE	DETENT TORQUE	ROTOR INERTIA	GEAR RATIO	STEP ANGLE PRECISION	ALLOW OF SPEED
	DC	Ω/PHASE	A/PHASE	N.m	mN.m	g.cm <sup>2</sup>	A	°	RPM
AHB-GA6082	24	1.1	2	3	68.6	135×10 <sup>-7</sup>	1:18	0.1°	0~100

