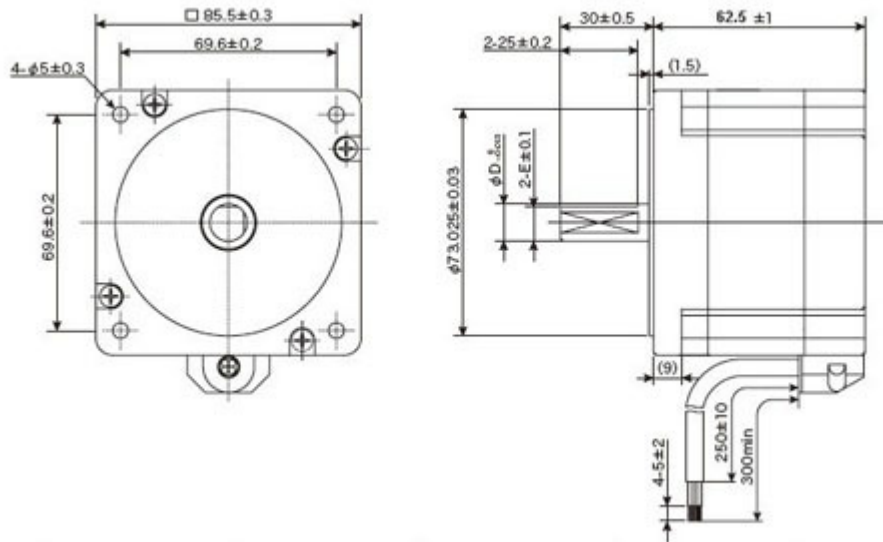




**AHB-DB8663**

**DIBUJO**



**CARACTERISTICAS**

MODEL	RATED VOLTAGE VDC	RESIS-TANCE Ω	HOLDING TORQUE g.cm	DETENT TORQUE g.cm	ROTOR INERTIA g.cm2	NUMBER OF PHASE	EXCITATION	STEP ANGLE PRECISION	DIMENSION	
									DIAMETER	LENGTH
									mm	mm
AHB-DB8663	4.2	2.1	1650	68.6	1250	2		1.8		

**CURVA**

