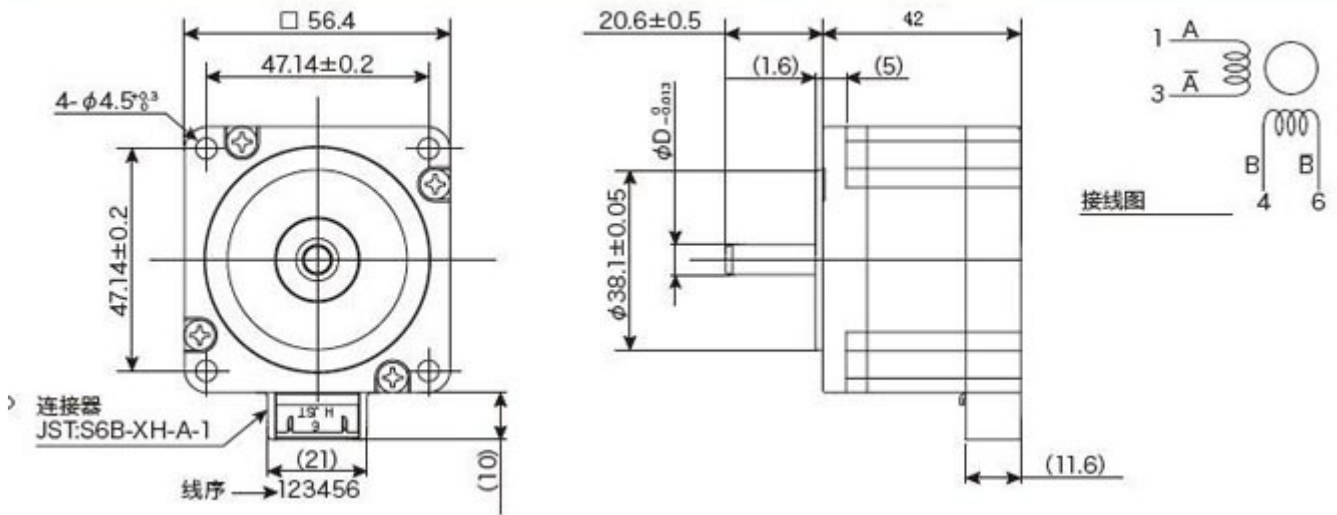




AHB-DB5742-01 A

DIBUJO



CARACTERISTICAS

MODEL	RATED VOLTAGE	RESISTANCE	HOLDING TORQUE	DETENT TORQUE	ROTOR INERTIA	NUMBER OF PHASE	EXCITATION	STEP ANGLE PRECISION	DIMENSION	
									DIAMETER	LENGTH
									mm	mm
AHB-DB5742-01A	24	2.35	870		145	2	2-2	1.8°	57	42