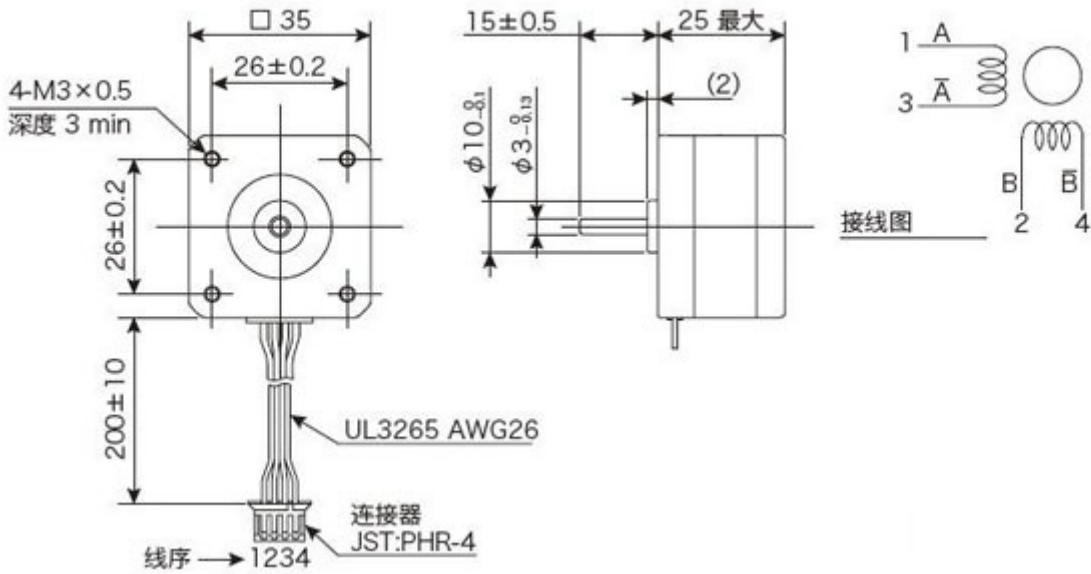




AHB-DB3525-01 A

DIBUJO



CARACTERISTICAS

MODEL		RATED VOLTAGE VDC	RESIS-TANCE Ω	HOLDING TORQUE g.cm	DETENT TORQUE g.cm	ROTOR INERTIA g.cm2	NUMBER OF PHASE	EXCITATION	STEP ANGLE PRECISION	DIMENSION	
										DIAMETER	LENGTH
										mm	mm
AHB-DB3525-01A	AHB-DB3525-01A	24	18.80	75..5		27	2	2-2	1.5°	35	25