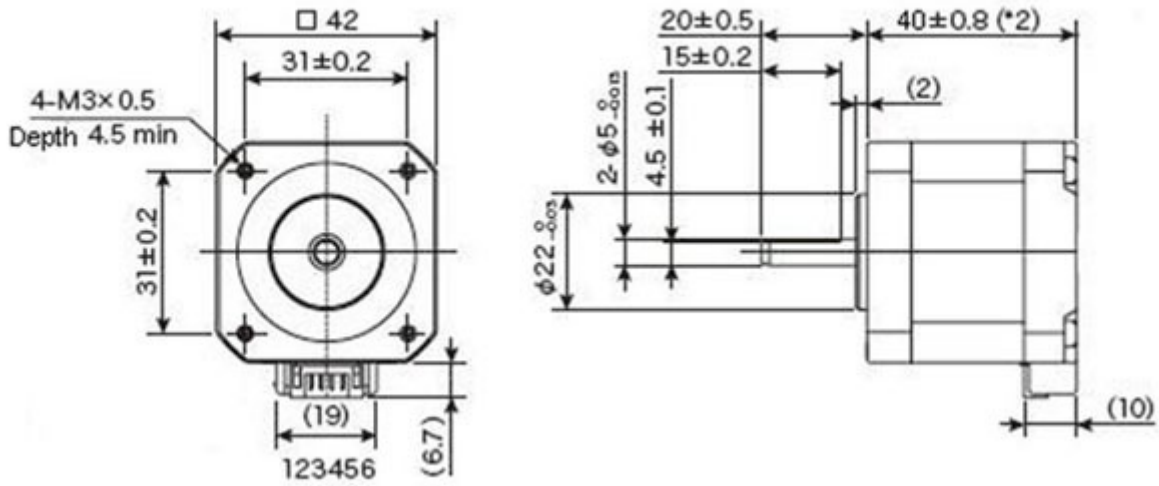




AHB-DA4240

DIBUJO



CARACTERISTICAS

MODEL	RATED VOLTAGE	RESISTANCE	HOLDING TORQUE	DETENT TORQUE	ROTOR INERTIA	NUMBER OF PHASE	EXCITATION	STEP ANGLE PRECISION	DIMENSION	
									DIAMETER	LENGTH
									mm	mm
AHB-DA4240	12	30	0.43	14	80	2		1.8		

CURVA

