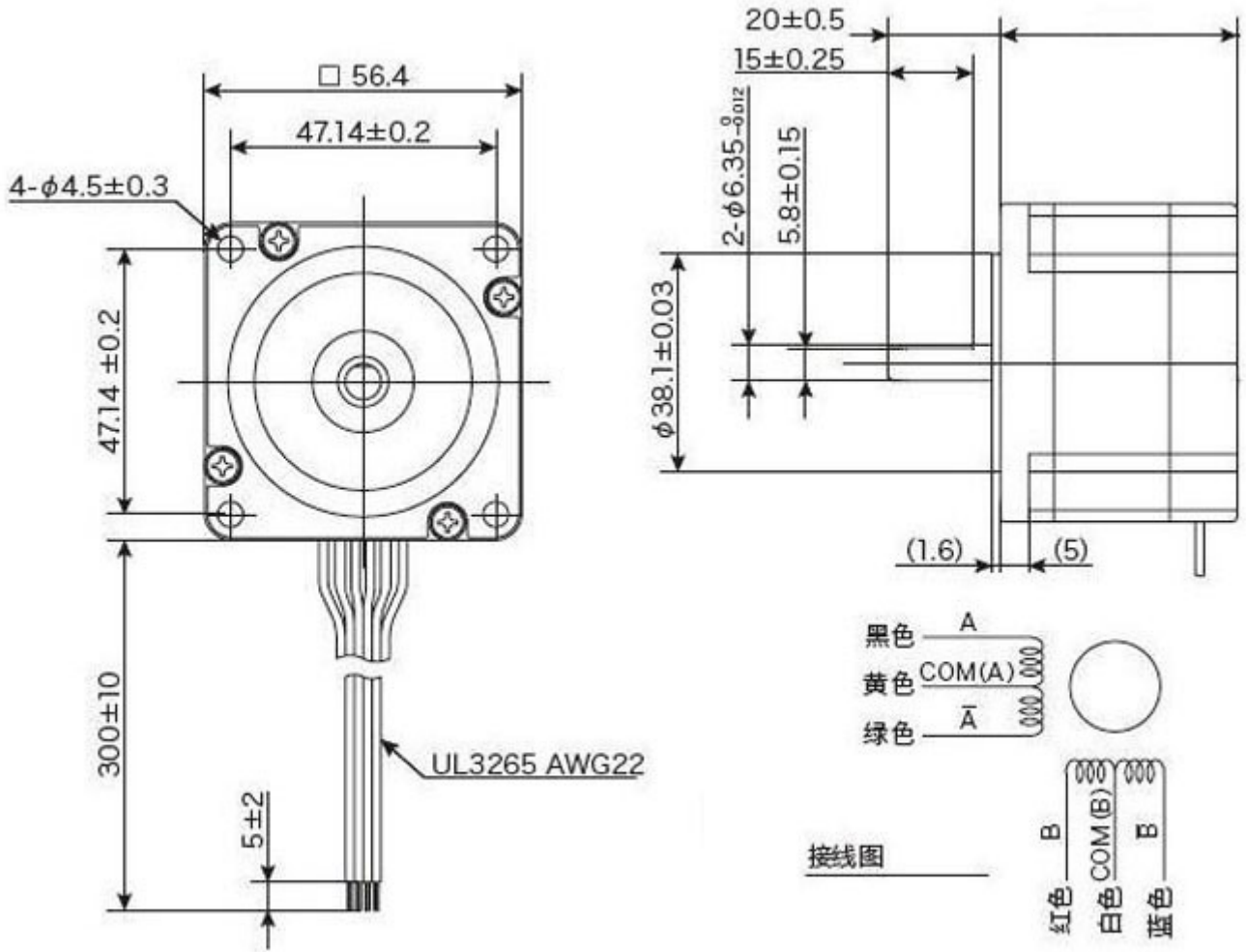


AHB-CU5740-01 A

DIBUJO



CARACTERISTICAS

MODEL	RATED VOLTAGE	RESIS-TANCE	HOLDING TORQUE	DETENT TORQUE	ROTOR INERTIA	NUMBER OF PHASE	EXCITATION	STEP ANGLE PRECISION	DIMENSION	
									DIAMETER	LENGTH
									mm	mm
AHB-CU5740-01A	24	5.30	460		120	2	2-2	0.9°	57	40