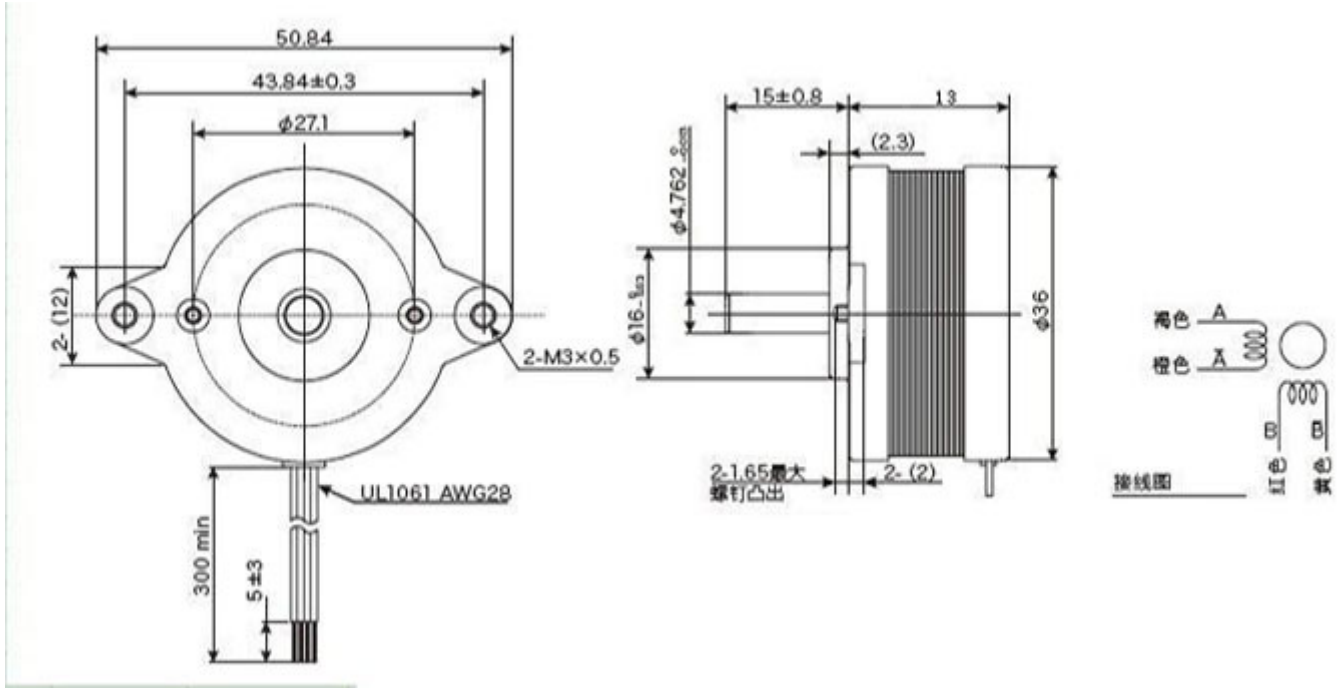




AHB-CB3613-01 A

DIBUJO



CARACTERISTICAS

MODEL	RATED VOLTAGE	RESIS-TANCE	HOLDING TORQUE	DETENT TORQUE	ROTOR INERTIA	NUMBER OF PHASE	EXCITATION	STEP ANGLE PRECISION	DIMENSION	
									DIAMETER	LENGTH
									mm	mm
AHB-CB3613-01A	24	16.80	41.2		7.3	2	2-2	0.9°	36	13