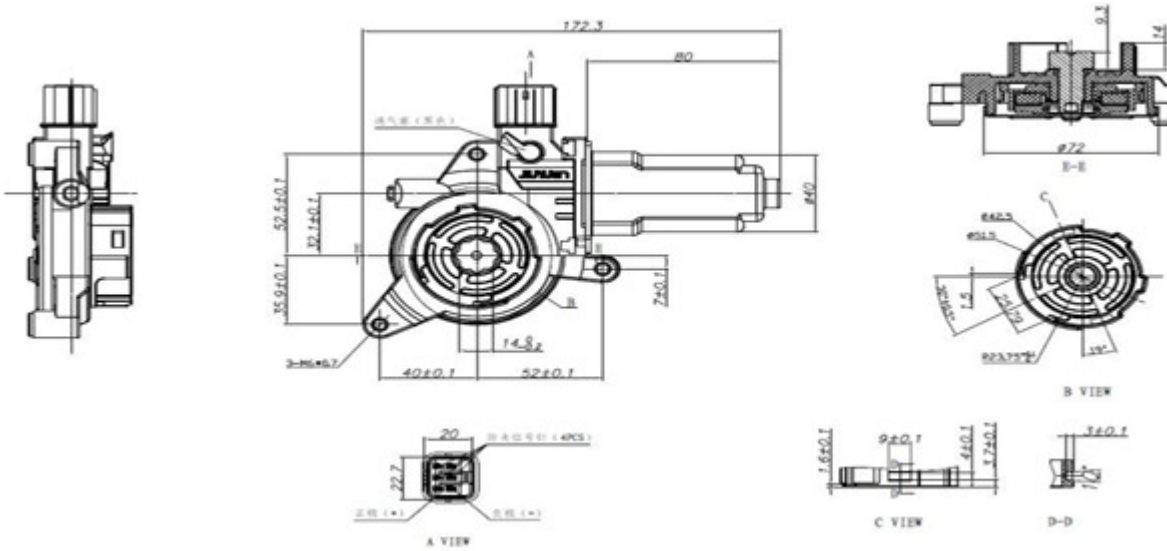




AGP-5170A-050014-VBL

DIBUJO



CARATTERISTICAS

MODEL	REDUCTION RATIO	VOLTAGE		NO LOAD		AT MAXIMUM EFFICIENCY				STALL	
		OPERATING RANGE	NOMINAL	SPEED	CURRENT	SPEED	CURRENT	TORQUE	OUTPUT	TORQUE	CURRENT
		VDC	VDC	RPM	A	RPM	A	mN.m/g.cm	W	mN.m/g.cm	A
AGP-5170A-050014-VBL	VBL 50:1~100:1	12.0		80	3.5	60	9	6.3		8.5	25

CURVA

