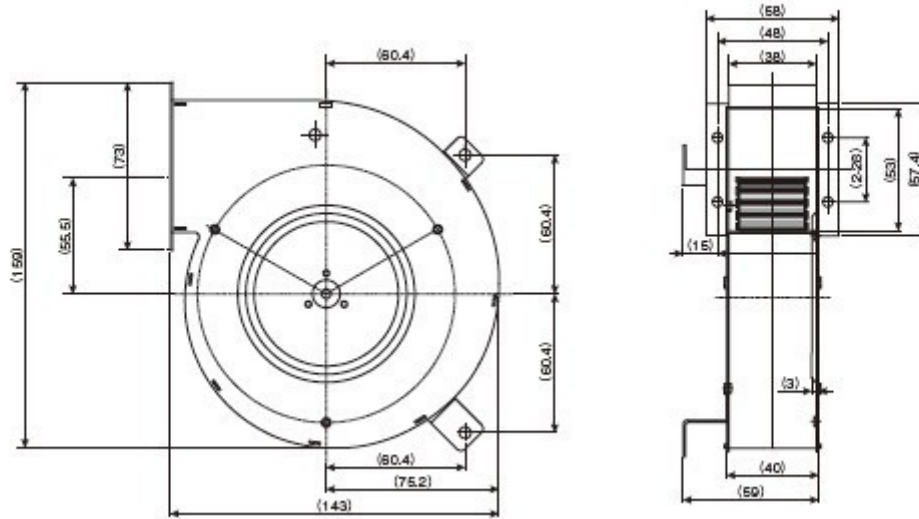


ABL-WC15940

DIBUJO



CARACTERISTICAS Y CURVA

MODEL	RATED VOLTAGE	MAXIMUM QUANTITY OF WIND	MAXIMUM PRESSURE	MAXIMUM CURRENT
	DC	m/min	Pa	A
ABL-WC15940	24	2.3	470	1.3

