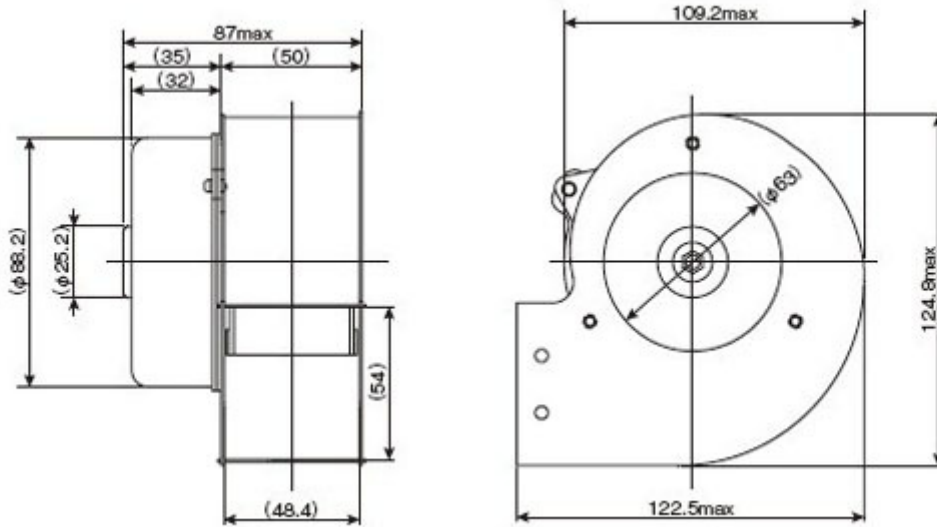




ABL-WB12587

DIBUJO



CARACTERISTICAS Y CURVA

MODEL	RATED VOLTAGE	MAXIMUM QUANTITY OF WIND	MAXIMUM PRESSURE	MAXIMUM CURRENT
	DC	m/min	Pa	A
ABL-WB12587	120	3.5	440	1.3

