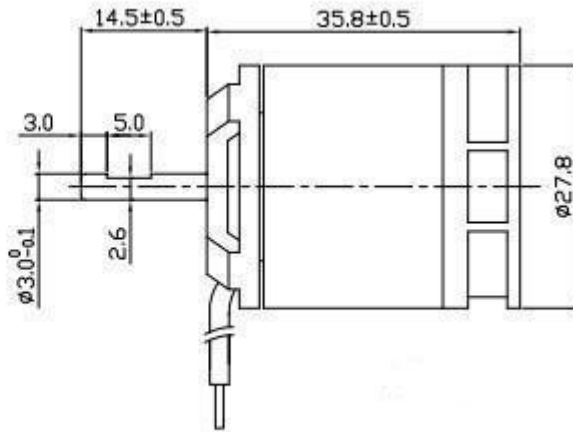
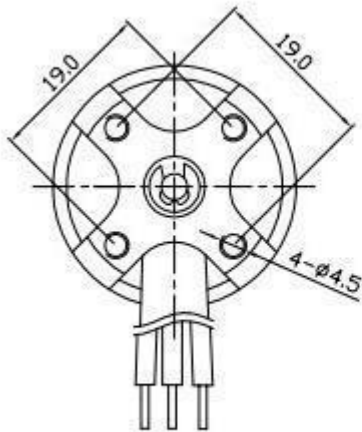




ABL-RC2836

DIBUJO



UNIT : Millimeters WEIGHT : 58 g (APPROX)

CARACTERISTICAS

MODEL	VOLTAGE		NO LOAD			AT LOAD				STALL			
	OPERATING RANGE	NOMINAL	SPEED		CURRENT	SPEED	CURRENT	TORQUE	OUTPUT	TORQUE	CURRENT		
	VDC	VDC	KV	RPM	A	RPM	A	mN.m	g.cm	W	mN.m	g.cm	A
ABL-RC2836	01	9~12	10.5	3500	36750	3.0		31		320			
	02	12~16	14.5	3700	53650	2.5		42	70D.Fan	600			