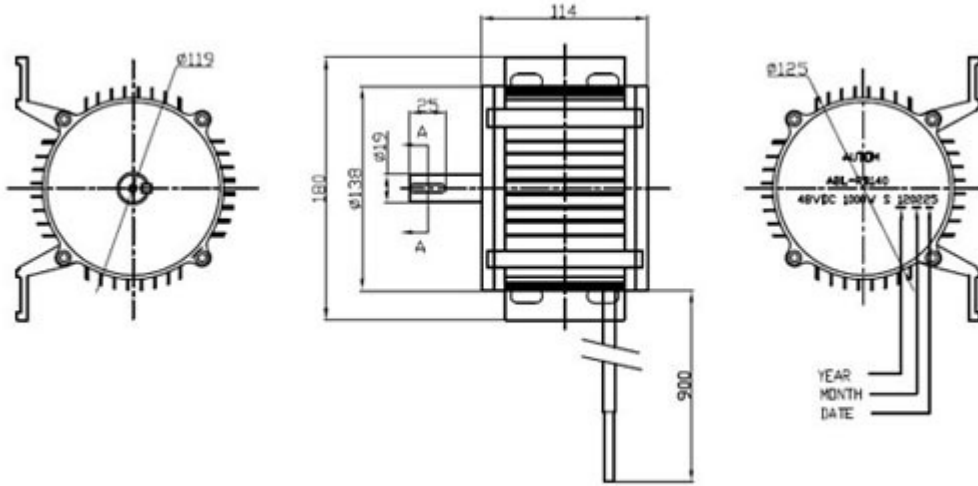




ABL-RB140

DIBUJO



UNIT:Millimeters

WEIGHT: 6kg (APPROX)

CARACTERISTICAS

MODEL	VOLTAGE		NO LOAD			AT LOAD				STALL			
	OPERATING RANGE	NOMINAL	SPEED	CURRENT	SPEED	CURRENT	TORQUE	OUTPUT	TORQUE	CURRENT			
	VDC	VDC	KV	RPM	A	RPM	A	mN.m	g.cm	W	mN.m	g.cm	A
ABL-RB140		48		1720	2.4	1528	20	5160	52653	826			38.9