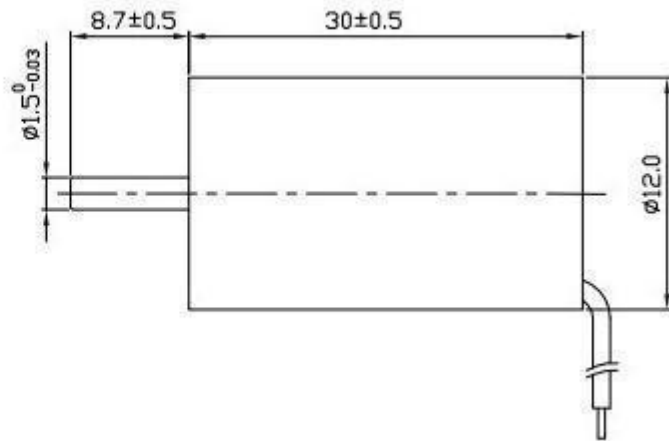
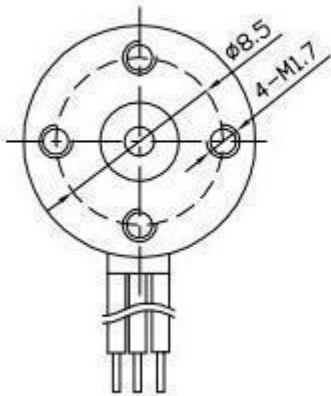




ABL-RB1230

DIBUJO



UNIT : Millimeters WEIGHT : 15 g (APPROX)

CARACTERISTICAS

MODEL		VOLTAGE		NO LOAD			AT LOAD				STALL		
		OPERATING RANGE	NOMINAL	SPEED		CURRENT	SPEED	CURRENT	TORQUE	OUTPUT	TORQUE	CURRENT	
		VDC	VDC	KV	RPM	A	RPM	A	mN.m g.cm	W	mN.m g.cm	A	
ABL-RB1230	01	5~10	7.4	11000	81400	1.1		16		180	70		