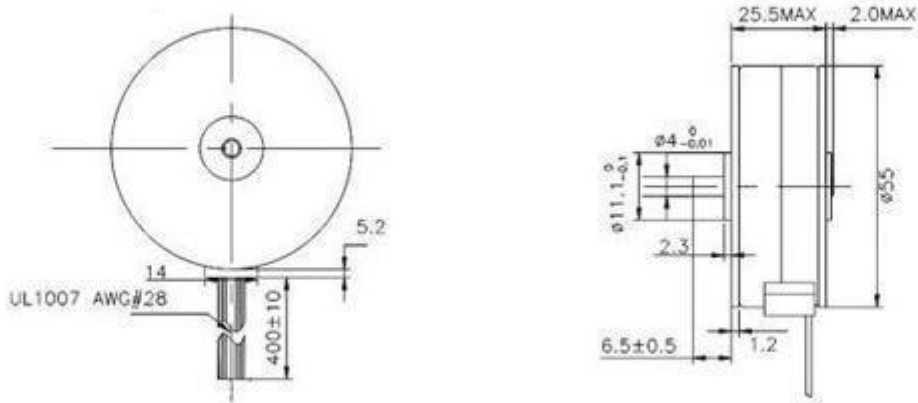




55BY

DIBUJO



UNIT : Millimeters WEIGHT : 232 g (APPROX)

CARACTERISTICAS

MODEL		RATED VOLTAGE	RESIS-TANCE	HOLDING TORQUE	DETENT TORQUE	ROTOR INERTIA	NUMBER OF PHASE	EXCITATION	STEP ANGLE PRECISION	DIMENSION	
										DIAMETER	LENGTH
		VDC	Ω	g.cm	g.cm	g.cm ²	mm	mm			
55BY	412-A	12.0	21	900	250	12.5	4	2-2	7.5±7%	55	25.5