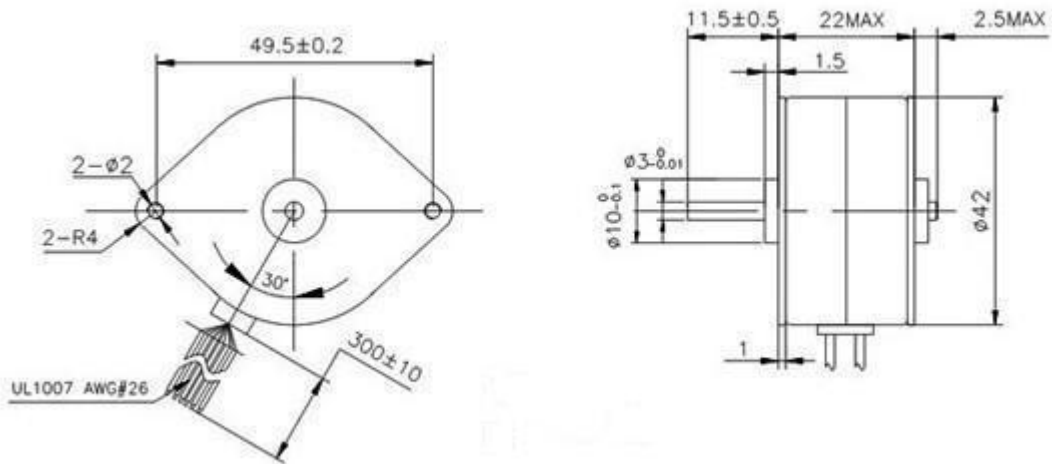




42BY

DIBUJO



UNIT : Millimeters WEIGHT : 123 g (APPROX)

CARACTERISTICAS

MODEL	RATED VOLTAGE	RESISTANCE	HOLDING TORQUE	DETENT TORQUE	ROTOR INERTIA	NUMBER OF PHASE	EXCITATION	STEP ANGLE PRECISION	DIMENSION		
									DIAMETER	LENGTH	
									mm	mm	
42BY	412-A	12	60	450	125	7.5	4	2-2	7.5±7%	42	22
	412-B	12	48	550	125	9.6	4	2*2	7.5±7%	42	22
	412-C	12	75	420	60	9.6	4	2-2	7.5±7%	42	22