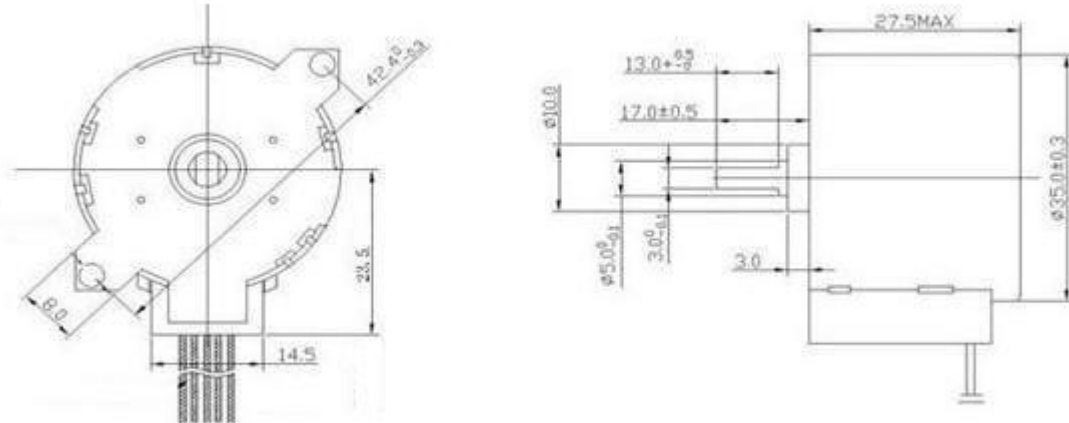




**35BYJ**

**DIBUJO**



UNIT : Millimeters WEIGHT : 80 g (APPROX)

**CARACTERISTICAS**

MODEL	RATED VOLTAGE	RESISTANCE	HOLDING TORQUE	DETENT TORQUE	ROTOR INERTIA	NUMBER OF PHASE	EXCITATION	STEP ANGLE PRECISION	DIMENSION		
									DIAMETER	LENGTH	
									mm	mm	
35BYJ	412-A	12.0	30	2000	650	10	4	1-2	3.75±7%	35	27.5
	412-B	12	200	1200	650	10	4	1-2	3.75±7%	35	27