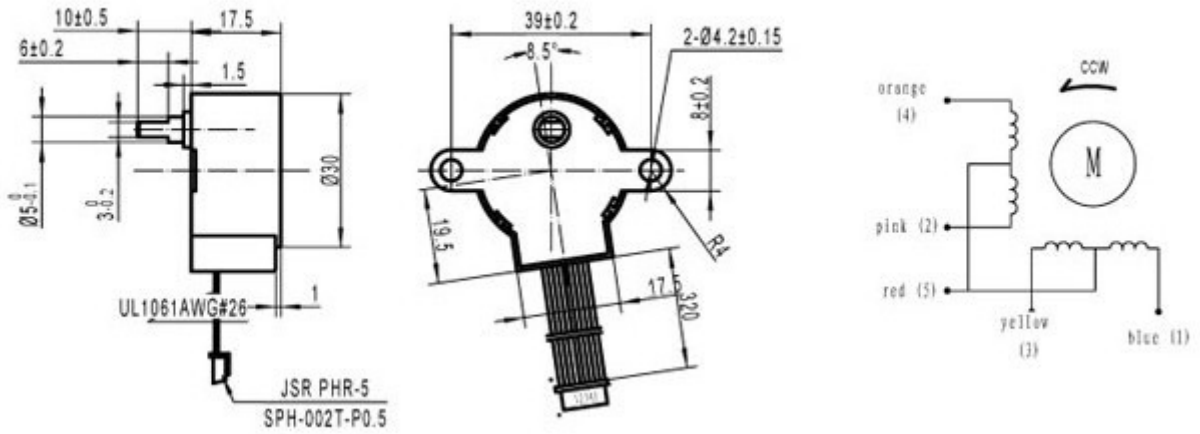




30BYJ46

DIBUJO



CARACTERISTICAS

MODEL	RATED VOLTAGE	RESISTANCE	HOLDING TORQUE	DETENT TORQUE	ROTOR INERTIA	NUMBER OF PHASE	EXCITATION	STEP ANGLE PRECISION	DIMENSION	
									DIAMETER	LENGTH
									mm	mm
30BYJ46 012	12	120	800	500		4	7.5/85.25		30	14.5