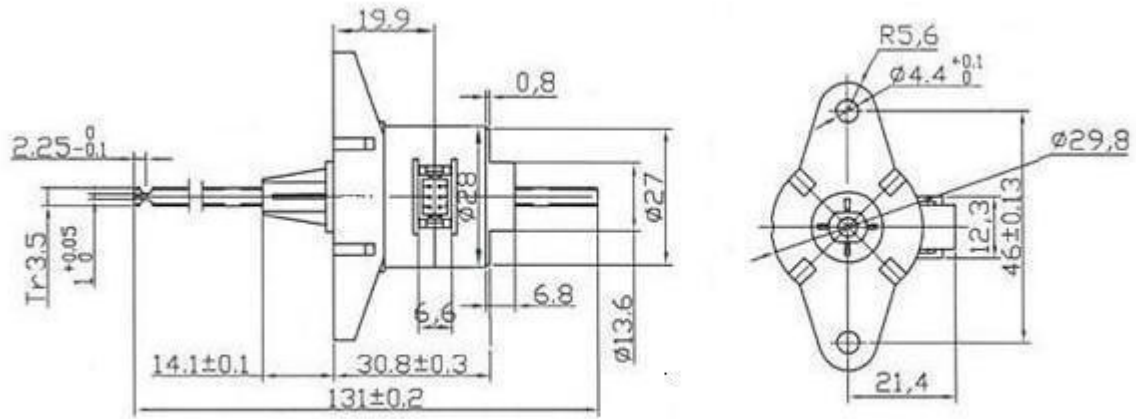




28BYZ

DIBUJO



UNIT : Millimeters WEIGHT : 80 g (APPROX)

CARACTERISTICAS

MODEL	RATED VOLTAGE	RESISTANCE	HOLDING TORQUE	DETENT TORQUE	ROTOR INERTIA	NUMBER OF PHASE	EXCITATION	STEP ANGLE PRECISION	DIMENSION		
									DIAMETER	LENGTH	
	VDC	Ω	g.cm	g.cm	g.cm ²				mm	mm	
28BYZ	26-A	24.0	150	500	100	10	2	2-2	15±7%	28	30.8
	26-B	12.0	90	200	50	10	2	2-2	15±7%	28	30.8