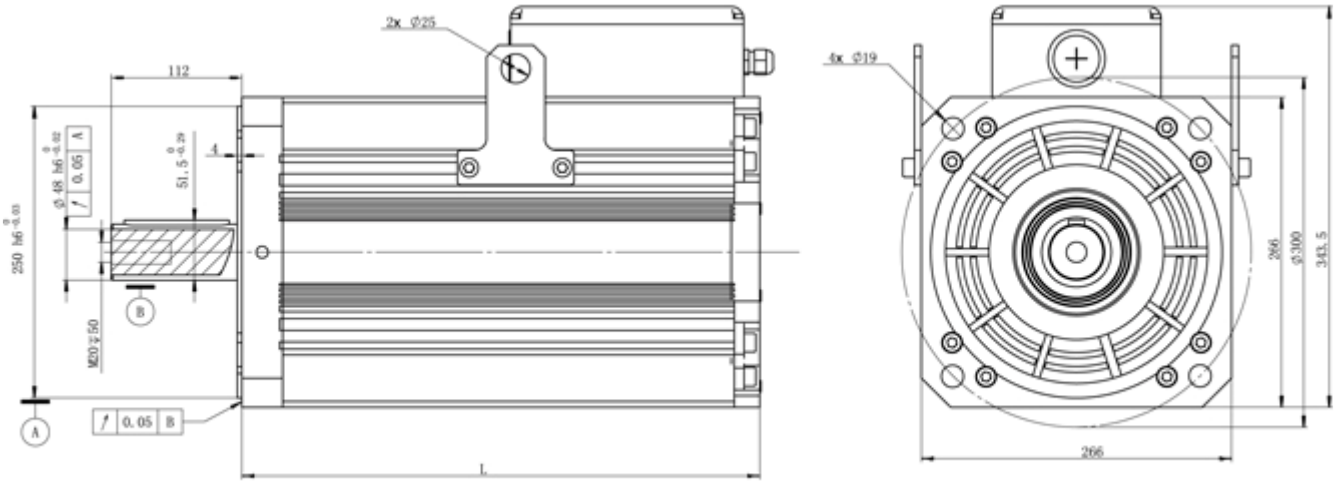




266convection cooled

DIBUJO



DETALLES DEL PRODUCTO

	80N-m	115N-m	155N-m	220N-m	275N-m
L[mm]	345	395	445	550	650
Product Model	Rated Torque	Rated Speed	Rated Power	Rated Current	IP Grade
ABL-SB266345-01A	80	2000	16.8	36	IP45
ABL-SB266345-02A	80	1700	14.2	32	IP45
ABL-SB266345-03A	80	1500	12.6	25	IP45
ABL-SB266345-04A	80	1300	10.9	24	IP45
ABL-SB266345-05A	80	1000	8.4	18	IP45
ABL-SB266395-01A	115	2000	24.1	54	IP45
ABL-SB266395-02A	115	1700	20.5	45	IP45
ABL-SB266395-03A	115	1500	18.1	38	IP45
ABL-SB266395-04A	115	1300	15.7	34	IP45
ABL-SB266395-05A	115	1000	12	27	IP45
ABL-SB266445-01A	155	2000	32.5	67	IP45
ABL-SB266445-02A	155	1700	27.5	60	IP45
ABL-SB266445-03A	155	1500	24.3	54	IP45
ABL-SB266445-04A	155	1300	21.1	45	IP45
ABL-SB266445-05A	155	1000	16.2	34	IP45
ABL-SB266550-01A	220	2000	46.1	101	IP45
ABL-SB266550-02A	220	1700	39.2	84	IP45
ABL-SB266550-03A	220	1500	34.6	72	IP45
ABL-SB266550-04A	220	1300	29.9	63	IP45
ABL-SB266550-05A	220	1000	23	50	IP45
ABL-SB266650-01A	275	2000	57.5	117	IP45
ABL-SB266650-02A	275	1700	49	94	IP45
ABL-SB266650-03A	275	1500	43.2	86	IP45
ABL-SB266650-04A	275	1300	37.4	78	IP45
ABL-SB266650-05A	275	1000	28.8	59	IP45