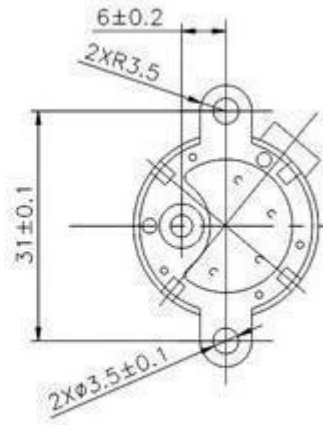
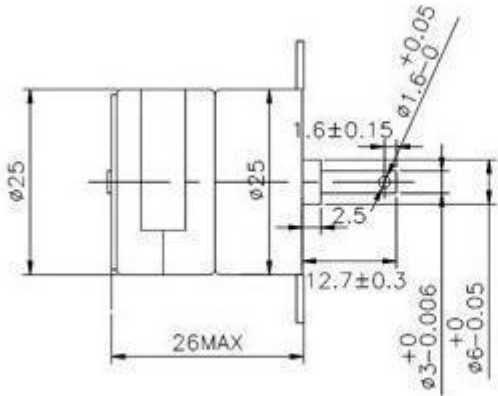




**25BYHJ**

**DIBUJO**



UNIT : Millimeters WEIGHT : 52 g (APPROX)

**CARACTERISTICAS**

MODEL	RATED VOLTAGE	RESIS-TANCE	HOLDING TORQUE	DETENT TORQUE	ROTOR INERTIA	NUMBER OF PHASE	EXCITATION	STEP ANGLE PRECISION	DIMENSION		
									DIAMETER	LENGTH	
									mm	mm	
25BYHJ	412-A	12.0	120	6000	2000	8.6	4	2-2	7.5±7%	25	26
	46-B	5.0	20	5000	720	8.6	4	2-2	15±7%	25	30