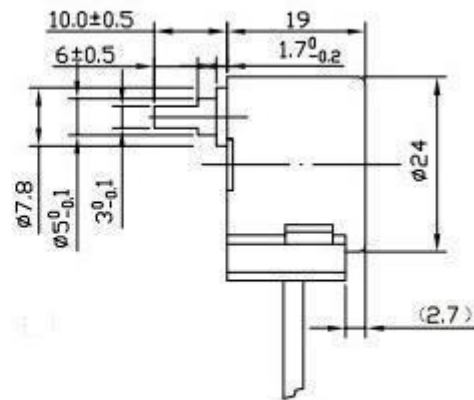
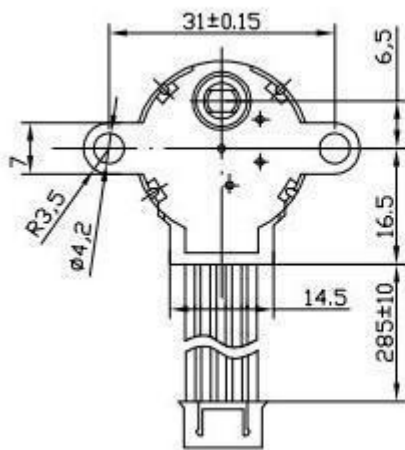




**24BYJ**

**DIBUJO**



UNIT : Millimeters WEIGHT : 23 g (APPROX)

**CARACTERISTICAS**

MODEL	RATED VOLTAGE	RESIS-TANCE	HOLDING TORQUE	DETENT TORQUE	ROTOR INERTIA	NUMBER OF PHASE	EXCITATION	STEP ANGLE PRECISION	DIMENSION		
									DIAMETER	LENGTH	
									mm	mm	
24BYJ	48-A	12.0	120	500	250	10	4	1-2	5.625±7%	24	19
	48-B	12.0	300	350	150	10	4	1-2	5.625±7%	24	19