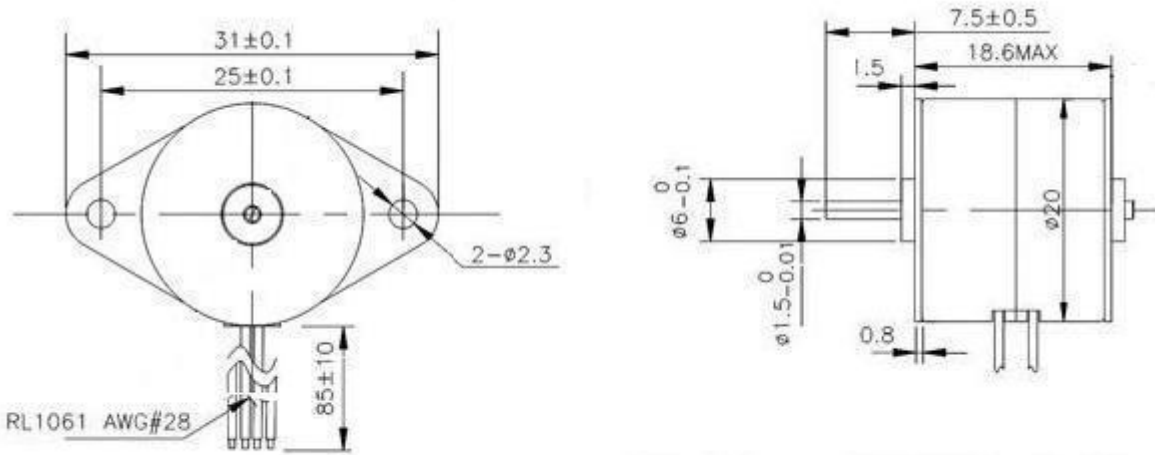




20BY

DIBUJO



UNIT : Millimeters WEIGHT : 27 g (APPROX)

CARACTERISTICAS

MODEL	RATED VOLTAGE	RESIS-TANCE	HOLDING TORQUE	DETENT TORQUE	ROTOR INERTIA	NUMBER OF PHASE	EXCITATION	STEP ANGLE PRECISION	DIMENSION		
									DIAMETER	LENGTH	
									mm	mm	
20BY	25-A	12.0	50	80	25	0.6	2	2-2	18±7%	20	18
	45-B	5	13	40	20	0.6	4	2-2	18±7%	20	18
	45-C	12	30	55	7.5	0.6	4	2-2	18±7%	20	18