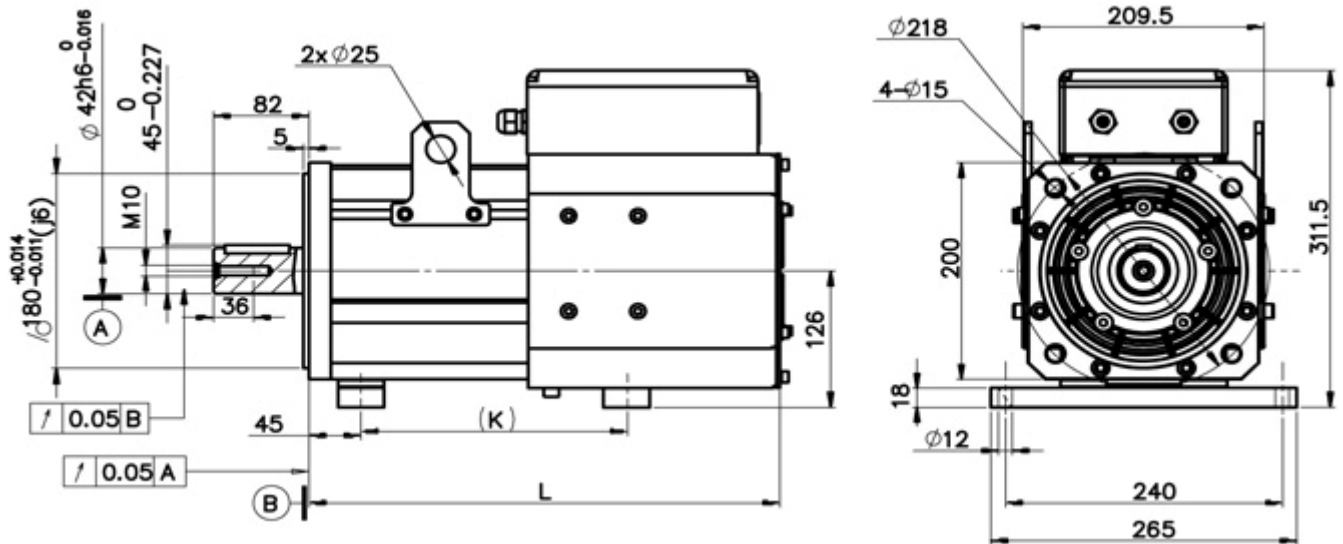




## 200 Ventilador Refrigerado

### DIBUJO



### DETALLES DEL PRODUCTO

	60N-m	90N-m	135N-m	195N-m	
L[mm]	360	395	471	471	
K[mm]	190	230	305	380	
Product Model	Rated Torque	Rated Speed	Rated Power	Rated Current	IP Grade
ABL-SB200360F-01A	60	2000	10.5	21	IP45
ABL-SB200360F-02A	60	1700	8.9	19	IP45
ABL-SB200360F-03A	60	1500	7.9	15	IP45
ABL-SB200360F-04A	60	1300	6.8	14	IP45
ABL-SB200360F-05A	60	1000	5.2	10	IP45
ABL-SB200395F-01A	90	2000	15.7	29	IP45
ABL-SB200395F-02A	90	1700	13.4	27	IP45
ABL-SB200395F-03A	90	1500	11.8	25	IP45
ABL-SB200395F-04A	90	1300	10.2	21	IP45
ABL-SB200395F-05A	90	1000	7.9	15	IP45
ABL-SB200471F-01A	135	2000	24.1	45	IP45
ABL-SB200471F-02A	135	1700	20.5	42	IP45
ABL-SB200471F-03A	135	1500	18.1	35	IP45
ABL-SB200471F-04A	135	1300	15.7	31	IP45
ABL-SB200471F-05A	135	1000	12	24	IP45
ABL-SB200500F-01A	195	2000	31.4	58	IP45
ABL-SB200500F-02A	195	1700	23.6	47	IP45
ABL-SB200500F-03A	195	1500	20.4	40	IP45
ABL-SB200500F-04A	195	1300	15.7	30	IP45