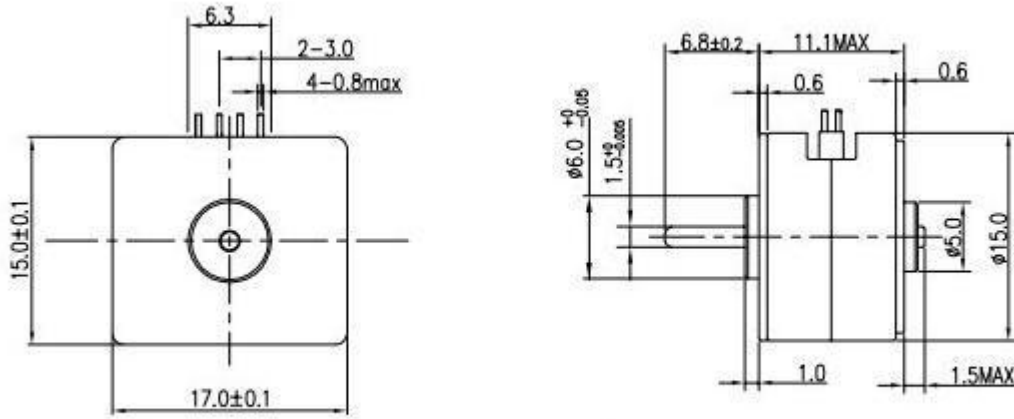




15BY

DIBUJO



UNIT : Millimeters WEIGHT : 11 g (APPROX)

CARACTERISTICAS

MODEL	RATED VOLTAGE	RESIS-TANCE	HOLDING TORQUE	DETENT TORQUE	ROTOR INERTIA	NUMBER OF PHASE	EXCITATION	STEP ANGLE PRECISION	DIMENSION		
									DIAMETER	LENGTH	
									mm	mm	
15BY	25-A	12.0	31	40	10	<1	2	2-2	18±7%	15	12
	25-B	5.0	10	27	6	<1	2	2-2	18±7%	15	12