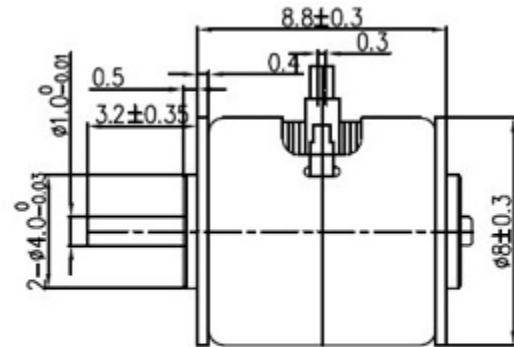
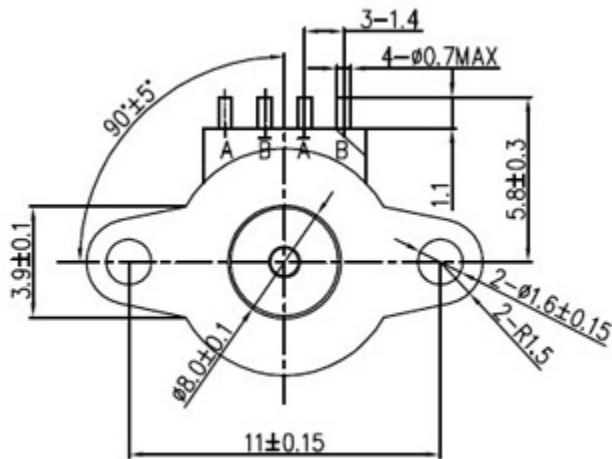




08BY

DIBUJO



UNIT: Millimeters WEIGHT: 2.3 g(APPROX)

CARACTERISTICAS

MODEL	RATED VOLTAGE VDC	RESIS-TANCE Ω	HOLDING TORQUE g.cm	DETENT TORQUE g.cm	ROTOR INERTIA g.cm2	NUMBER OF PHASE	EXCITATION	STEP ANGLE PRECISION	DIMENSION	
									DIAMETER	LENGTH
									mm	mm
08BY 25-A	3.3	21	3.0	0.25	0.6	2	2-2	18± 10%	8.0	8.0